

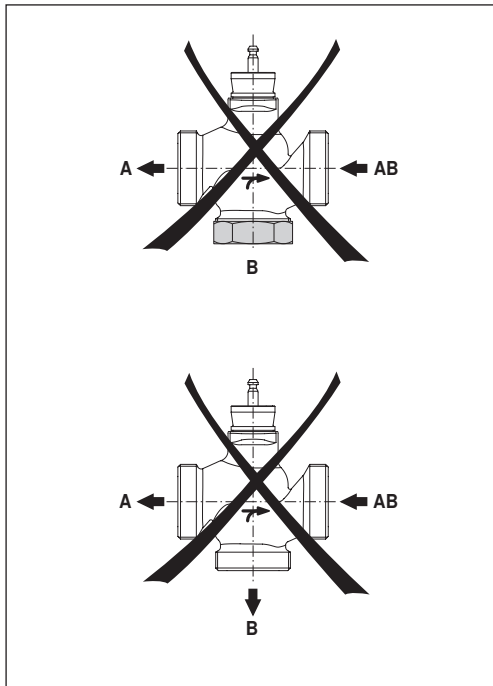
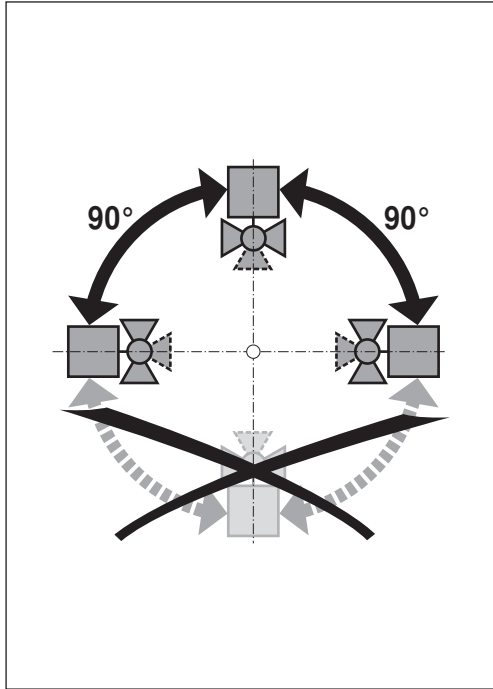
**BELIMO**



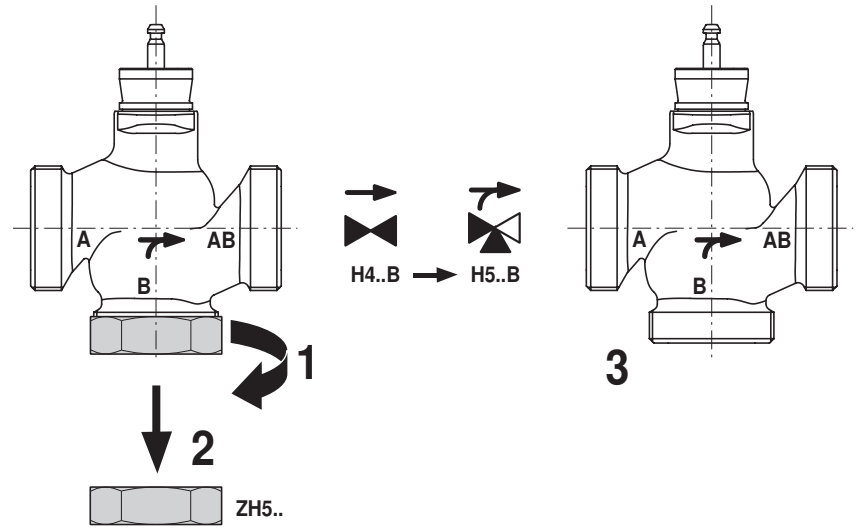
H4..B



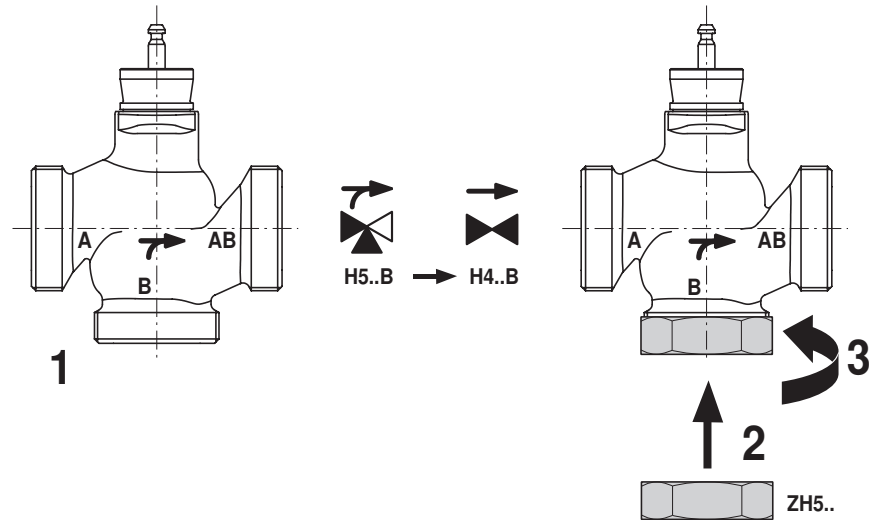
H5..B



**H4..B → H5..B**



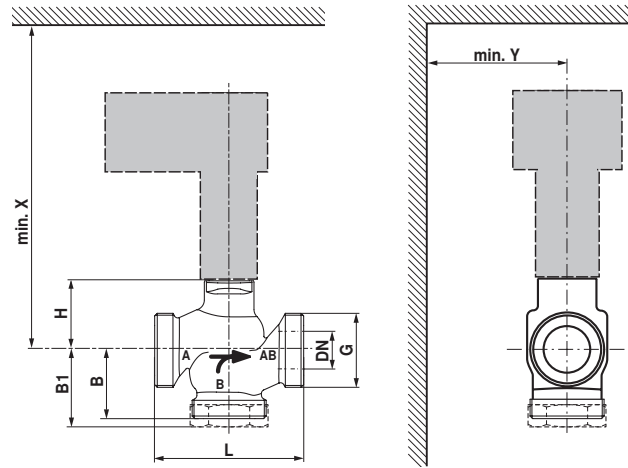
**H5..B → H4..B**



71554-00001.A



## H4..B / H5..B



ps <1600 kPa (PN16) t= +5... +120°C		H4..B		H5..B		LV..A.. 500N		NV..A.. 1000N		SV..A.. 1500N						
DN	Hub / Stroke [mm]		B1 [mm]		B [mm]	$\Delta ps$ [kPa]	$\Delta pmax$ [kPa]	$\Delta ps$ [kPa]	$\Delta pmax$ [kPa]	$\Delta ps$ [kPa]	$\Delta pmax$ [kPa]	L [mm]	H [mm]	G [mm]	X [mm]	Y [mm]
15	15	H411B ... 15B	65	H511B ... 15B	55	1300	400	1600	400	1600	400	80	46	1 1/8	290	100
20	15	H420B	65	H520B	55	900	400	1600	400	1600	400	90	46	1 1/4	290	100
25	15	H425B	66	H525B	55	500	400	1300	400	1600	400	110	52	1 1/2	300	100
32	15	H432B	67	H532B	55	350	350	1000	400	1600	400	120	56	2	300	100
40	15	H440B	72	H540B	60	150	150	500	400	900	400	130	65	2 1/4	310	100
50	15	H450B	75	H550B	65	70	70	300	300	550	400	150	65	2 3/4	310	100