

# CONSTANT TEMPERATURE CONTROLLER ACC10, ACC20

## INTRODUCTION



Constant temperature controllers ACC10 and ACC20 are intended for constant temperature control. The most common use is to control the return- pipe temperature into the boiler.

Type ACC10 with one temperature sensor is intended for control of mixing valve. Type ACC20 with return- pipe and heat source temperature sensors is intended for control of mixing valve and circulation pump.

Setup of controller is done with touch sensitive keypad on the cover of the controller.

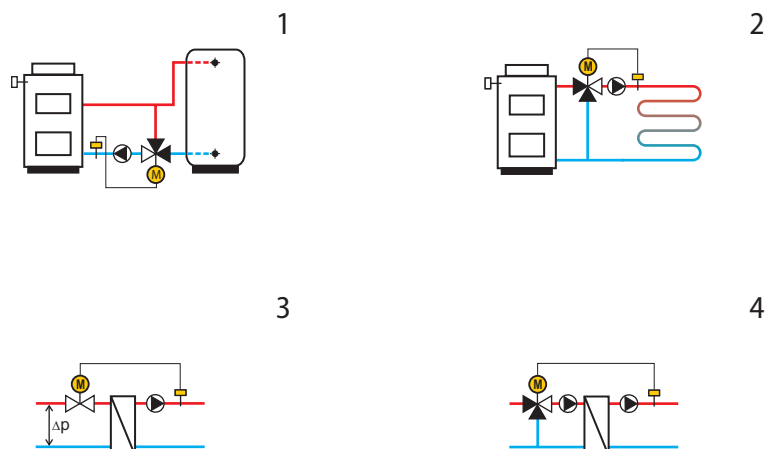
Display is used to indicate actual temperatures and to setup the controller.

## FEATURES

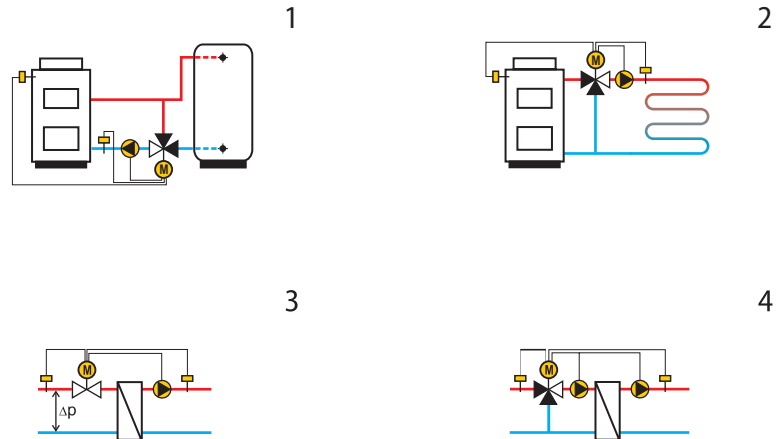
- temperature setting range 0 ÷ 99 °C
- display of actual temperature
- selection of opening direction
- heating or cooling operation mode
- possibility to adjust mixing valve control (PID)
- possibility to adjust pump operation mode \*
- auxiliary sensor for heat source temperature \*
- control of circulation pump \*
- indication of valve turning direction
- indication of pump operation\*
- installation sets for many mixing valves
- running torque 6 Nm
- running speed 2 minutes

\* TYPE ACC20 ONLY

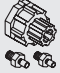

## APPLICATION ACC10

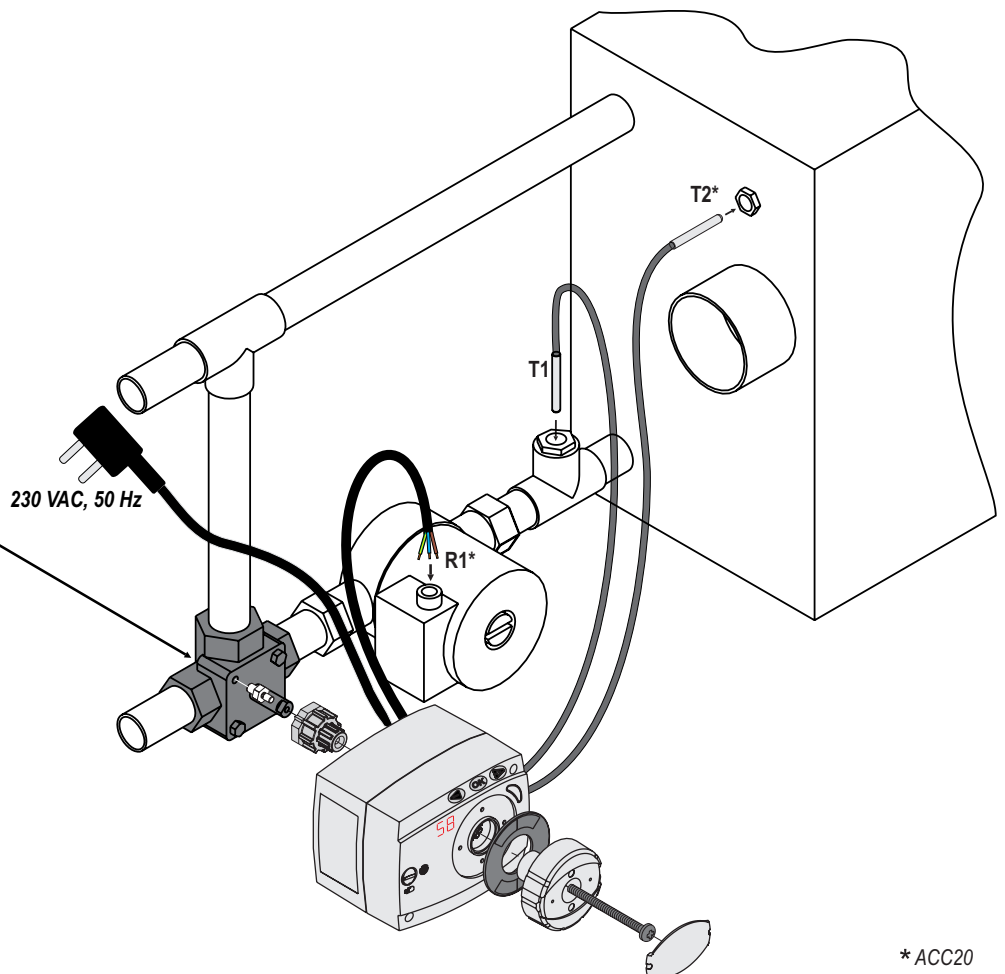


## APPLICATION ACC20

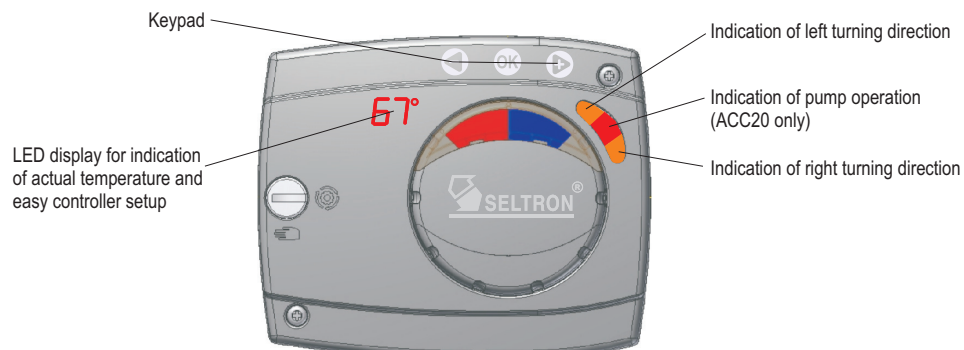
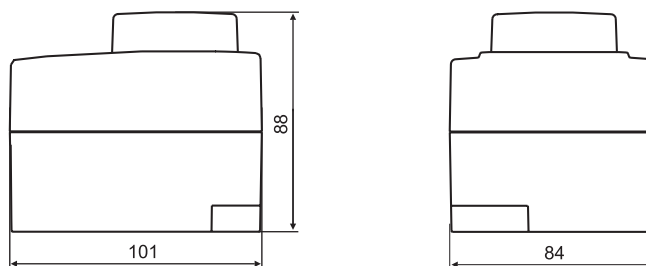


## INSTALLATION

	
ASCAVMSA	Esbe, Seltron, Somatherm, Acaso, Afriso, IVAR, PAW, Hora, BRV, IMIT, Barben, LK Armatur, Vexve, Olymp, Hoval
ASCAVMSC	Centra DR/ZR
ASCAVMSD	Centra DRU
ASCAVMS E	Siemens VBI / VBF / VBG / VCI
ASCAVMSF	Meibes, Wita
ASCAVMSG	Esbe V/RG
ASCAVMSH	FIRŠT Rotomix
ASCAVMSI	Honeywell V544... V543..
ASCAVMSJ	PAW K32, K33, K34



\* ACC20

**APPEARANCE****DIMENSIONS****TECHNICAL DATA**

	ACC10	ACC20
Torque:	6 Nm	
Running angle:	90 <°	
Running speed:	2 min / 90<°	
Operation mode:	3-point, PID	
Relay output:	None	5 (1) A, 250 VAC
Consumption:	max. 1,5 VA	
Consumption in standby:	max. 0,5 VA	
Temperature range:	0 ÷ 50 °C	
Rated power:	1,5 VA	
Protection degree:	IP42 by EN 60529	
Safety class:	I by EN 60730-1	
Dimensions (w × l × h):	84 × 101 × 88 mm	
Weight:	900 g	1000 g
Color / material:	Black transparent / PC	

**CONSTANT TEMPERATURE  
CONTROLLER ACC10, ACC20****ORDERING CODES****Controller ACC**

1ACC101-NN0	Constant temperature controller ACC10 incl. 1x TF/Pt
1ACC2011-NN0	Constant temperature controller ACC20 incl. 2x TF/Pt

<b>Manufacturer and valve type</b>	<b>Ordering code</b>
Esbe, Afriso, WIP, Hora, BRV, Acaso, IVAR, Seltron, IMIT, IMP...	1ASCAVMSA000+NN0
Centra ZR.. / DR..	1ASCAVMSC000+NN0
Centra DRU	1ASCAVMSD000+NN0
Siemens VBI.. / VBF..	1ASCAVMSE000+NN0
Wita, Meibes	1ASCAVMSF000+NN0
Esbe VRG..	1ASCAVMSG000+NN0
Firšt	1ASCAVMSH000+NN0
Honeywell V5442.. / V5433..	1ASCAVMSI000+NN0
PAW, K32, K33, K34	1ASCAVMSJ000+NN0

**NOTES**

© All rights reserved. We retain the right for modifications without previous notification. We don't take any responsibility for mistakes.

**SELTRON d.o.o.**  
Tržaška cesta 85  
2000 Maribor  
SI - Slovenia

Tel.: +386 (0)2 671 96 00  
Fax.: +386 (0)2 671 96 66  
[http:// www.seltron.eu](http://www.seltron.eu)  
E-mail: [info@seltron.eu](mailto:info@seltron.eu)

